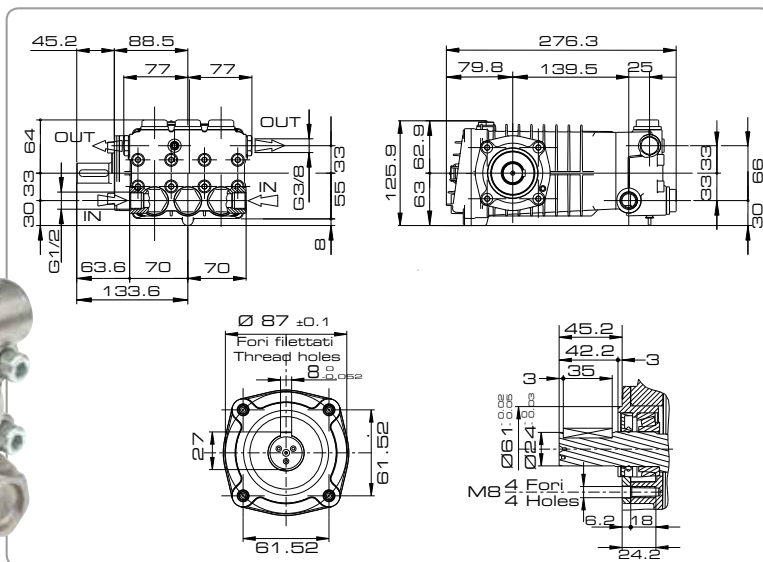
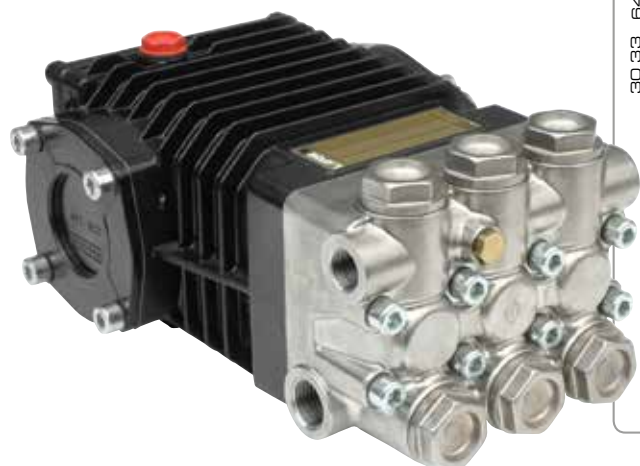


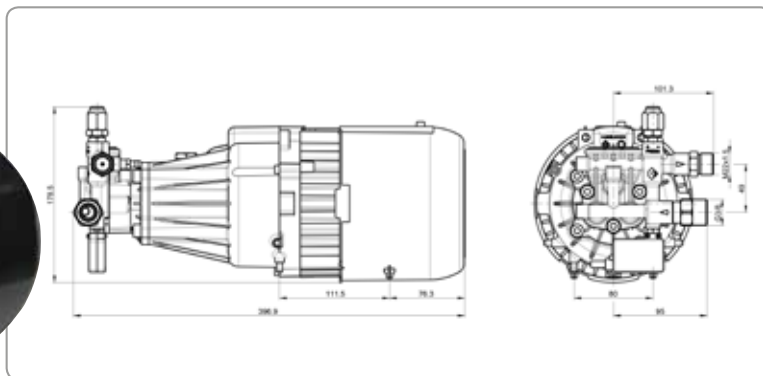
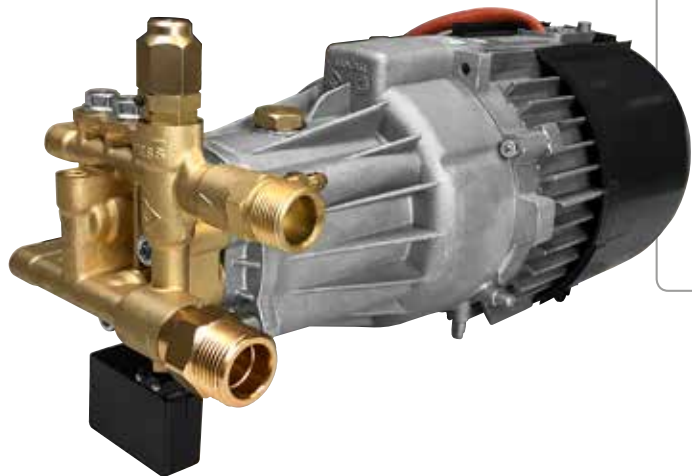
## High-pressure pumps units

### CW5 series (Nickel plated CL5)



| Model           | Right shaft ver. | Left shaft ver. | RPM       | Max. pressure |      |     | Flow rate |     | Requested power |     |      |      | Weight |     |     |      |
|-----------------|------------------|-----------------|-----------|---------------|------|-----|-----------|-----|-----------------|-----|------|------|--------|-----|-----|------|
|                 | Code             | Code            |           | bar           | psi  | MPa | l/m       | GPM | HP              | kW  |      | kg   | lbs    |     |     |      |
| CW 54-20 11-200 | 6.605.0192       | 6.605.0193      | 1450 1750 | 200           | 2900 | 20  | 11        | 13  | 2.9             | 3.5 | 6    | 6,5  | 4,4    | 4,8 | 9,8 | 21,6 |
| CW 54-20 15-200 | 6.605.0194       | 6.605.0195      | 1450 1750 | 200           | 2900 | 20  | 15        | 18  | 4               | 4.7 | 7,5  | 9,2  | 5,5    | 6,9 | 9,8 | 21,6 |
| CW 54-20 21-200 | 6.605.0196       | 6.605.0197      | 1450 1750 | 200           | 2900 | 20  | 21        | 25  | 5.5             | 6.6 | 10,5 | 12,8 | 7,7    | 9,5 | 9,8 | 21,6 |

### MPBX1 series (Omnia 12 Pump)



**Equipped with:** • High-pressure motor pumps units • Fixing bracket included

| Model           | Left shaft ver. | RPM  | Max. pressure |      |     | Flow rate |      | Requested power | Power supply   | Weight |      |
|-----------------|-----------------|------|---------------|------|-----|-----------|------|-----------------|----------------|--------|------|
|                 | Code            |      | bar           | psi  | MPa | l/m       | GPM  |                 |                | kg     | lbs  |
| MPBX 1-12 9-140 | on request      | 2800 | 140           | 2030 | 14  | 9         | 2.37 | 2.8             | 1 Ph 230V~50Hz | 13     | 28,6 |
| MPBX 1-12 9-140 | on request      | 3400 | 140           | 2030 | 14  | 9         | 2.37 |                 |                |        |      |