



**CL**

Pneumatic  
Torque Multiplier

**alkitronic<sup>®</sup>**

**alki**  
**TECHNIK**

## Applications

- Continuous rotation tightening or loosening of all heavy duty fastening connections
- Perfect for bolted applications in an environment with increased hazard of explosion
- **alkitronic® CLS** quick, compact torque multiplier for torques of 60 Nm to 3,500 Nm
- **alkitronic® CLD** comfortable torque multiplier with rotating handle for torques of 160 Nm to 9,800 Nm
- **alkitronic® CLS2** high-performance capable 2-gear machine for torques of 120 Nm to 48,000 Nm

## Advantages

- Permanently higher joint quality as compared to impact and hydraulic wrenches by continuous rotation of the square drive
- **alkitronic® CLD** - the 360 degree rotating handle ensures comfortable operation and none of the reaction forces are transferred to the operator
- **alkitronic® CLS2** with fast gear for turning in and simple, quick switching to power gear (is used for applying the final torque)

## alkitronic® specials

- Simple 1-finger operation for right/left rotation, optional facility to enable the reaction to be locked in one position
- Robust motor housing from cast aluminium with proven pneumatic drive
- Proven high-performance gears, produced in a chip-free high-precision process produce high loads with low wear
- **alkitronic® CLS2** with uniquely high torque - 48,000 Nm
- On demand with optional silencer levels to reduce the noise from the motor exhaust

## Specifications



On request, you will receive our pneumatic multipliers with **ATEX-Certification: II 2 G D c IIB T6**

Prerequisites for best work and the indicated torques are an operating pressure of 2-7 bar at a volume flow of approx. 10-15 l/s. The torque accuracy depends on the stability of the supply system.

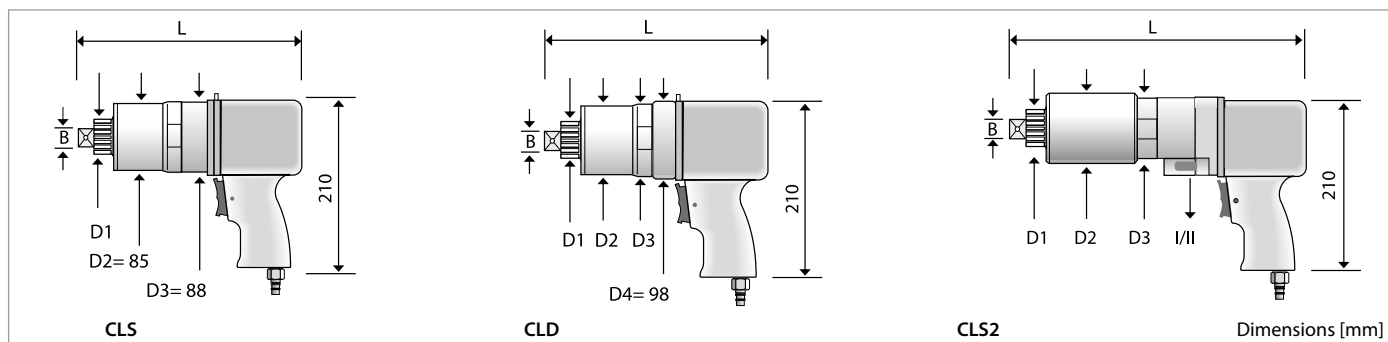


**alkitronic® CLS2** 2-gear pneumatic torque multiplier. Mechanically switchable from fast gear to power gear.

**alkitronic® CLD** torque multipliers in use (figures on the right). Screw connections at a bolt circle and a diesel unit for large construction machines



## Technical Data



### Models CLS

Type		CLS 15	CLS 25	CLS 35	CLS 45	CLS 75	CLS 95	CLS 135	CLS 175	CLS 255	CLS 315
Torque range (approx.) *	Nm	60-220	95-280	135-390	165-485	305-895	365-1080	495-1450	645-1900	910-2670	1180-3460
Square drive	B	1/2" / 3/4"	1/2" / 3/4"	3/4"	3/4"	3/4"	3/4"	1"	1"	1"	1"
Diameter (approx.)	D <sub>1</sub> mm	41	41	41	41	41	41	54	54	54	54
Length (approx.)	L mm	255	255	255	255	277	277	300	300	330	330
Weight without DMA (approx.)	kg	6	6.5	6.5	6.5	7.5	7.5	8	8	9	9
Idle speed	rpm	60	38	34	27	19	13	9	7	6	4

### Models CLD

Type		CLD 55	CLD 85	CLD 105	CLD 125	CLD 155	CLD 225	CLD 280	CLD 380	CLD 580	CLD 780	CLD 980
Torque range (approx.) *	Nm	165-485	305-895	365-1080	450-1315	590-1730	910-2670	1180-3460	1490-4380	2080-6115	2610-7700	3300-9800
Square drive	B	3/4"	3/4"/1"	1"	1"	1"	1"	1"	1 1/2"	1 1/2"	1 1/2"	1 1/2"
Diameter (approx.)	D <sub>1</sub> mm	41	41/54	54	54	54	54	54	72	72	72	91
Diameter (approx.)	D <sub>2</sub> mm	85	85	85	85	85	85	85	98	123	148	173
Diameter (approx.)	D <sub>3</sub> mm	88	88	88	88	88	88	88	98	123	148	173
Length (approx.)	L mm	280	300	300	300	300	300	300	320	350	350	370
Weight without DMA (approx.)	kg	7	8.5	8.5	8.5	8.5	9	9	12	16	19	25
Idle speed	rpm	27	19	12	9	7	5	4	3	2	1,5	1

### Models CLS2

Type		CLS2/100	CLS2/150	CLS2/300	CLS2/400	CLS2/600	CLS2/800	CLS2/1000	CLS2/3400	CLS2/4800
Torque range 2nd gear (approx.) *	Nm	120-355	170-505	385-1130	540-1585	840-2470	1010-2965	1175-3455	3310-9720	4725-13890
Torque range 1st gear (approx.) *	Nm	380-1125	550-1615	1225-3595	1720-5055	2675-7865	3210-9435	3745-11010	11575-34000	16540-48600
Square drive	B	3/4"/1"	1"	1"	1 1/2"	1 1/2"	1 1/2"	1 1/2"	2 1/2"	2 1/2"
Diameter (approx.)	D <sub>1</sub> mm	41/54	54	54	72	72	72	91		
Diameter (approx.)	D <sub>2</sub> mm	85	85	85	98	123	148	173		
Diameter (approx.)	D <sub>3</sub> mm	88	88	88	98	123	148	173		
Length (approx.)	L mm	330	330	360	380	410	410	430	560	560
Weight without DMA (approx.)	kg	7	7.5	9	11	15	20	24	58	58
Idle speed 2nd gear	rpm	36	21	15	9	6	5	4		
Idle speed 1st gear	rpm	12	7	5	3	2	1.5	1	further details upon request	

\*) When loosening a bolted connection, up to 20% higher torque may be required (loosening torque). We will gladly advise you in detail.

### Product information

#### alkitronic® CLV models

Pneumatic torque multipliers with remote control for multiple bolted connections and serial assembly in semi-automatic operation. Torques up to 3,460 Nm.

We will gladly provide you with comprehensive information on this.



The torque control of the pneumatic alkitronic® torque multiplier takes place via the air supply or pressure regulator of the Maintenance Unit.

#### Accessories

Maintenance Unit, complete with filter, regulator, oiler and 5m hose, incl. couplings.



Products - Made in Germany by alki TECHNIK

## **alkitronic®**

### **Bolting Systems**

for continuous tightening and loosening of heavy duty fastening connections.

Drive manual, electric or pneumatic

### **Mounting-Documentation-Systems**

### **Calibration Systems**

### **Gearing Technology**

Central Gearing, Tangential Gearing, Radial Gearing

## **alkitorc®**

### **Hydraulic Torque Wrenches**

### **Hydraulic Pumps**

Electric or pneumatic driven



### **alki TECHNIK Center**

Competence Center  
Ingolstadt, Germany  
Development, Production  
and Distribution

### **alki TECHNIK GmbH**

Unterlettenweg 4  
D-85051 Ingolstadt  
Phone +49 841 97499-0  
Fax +49 841 97499-90  
[www.alkitechnik.com](http://www.alkitechnik.com)  
[info@alkitechnik.de](mailto:info@alkitechnik.de)

# **alki TECHNIK**

# THE TORQUE COMPANY

